



NDAC CASE STUDY

C-5 Nut Drive Actuator Control Assembly (NDAC)

THE CHALLENGE:

Obsolescence issues

Customer driven project to eliminate unwanted features such as:

- External leakage
- Jamming
- Rigging problems
- In-flight trim problems
- Abrupt actuation (water hammering)

Reliability enhancements and engineered improvements

Qualification and first article testing requirements (REF)

Deliver technical data package to customer

THE THOMAS INSTRUMENT SOLUTION:

Rigging difficulties resolved

Resolved null stroke issues

Updated seal package (resolved external leakage)

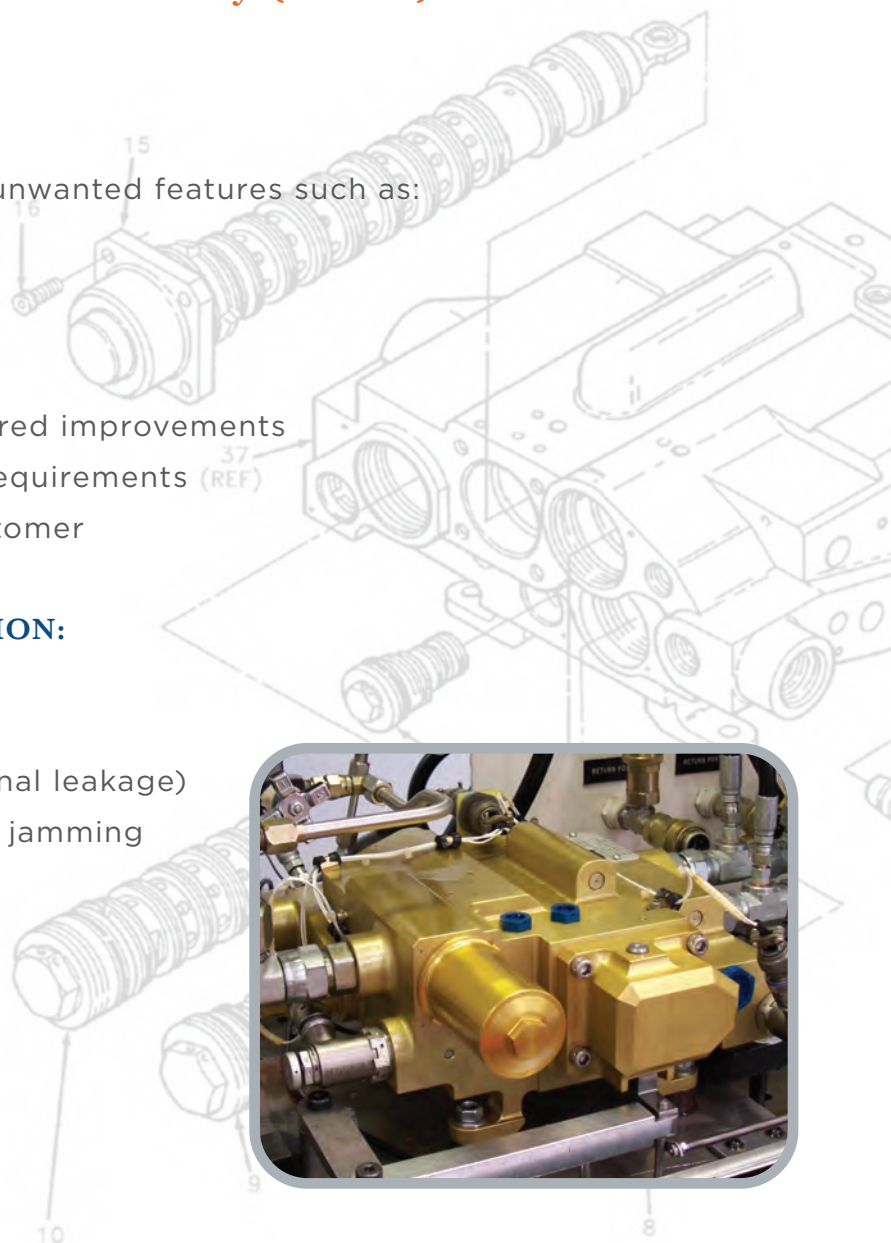
Eliminated in-flight trim problems and jamming

THE DELIVERABLES:

Complete technical data package

Qualification reports

First article units



BROOKSHIRE CAGE CODE: 5H860
3440 FIRST ST, BROOKSHIRE, TX 77423
PHONE: 281.375.6300 FAX: 281.375.5264

AS9100C Certified.

BOERNE CAGE CODE: 50LP4
110 COMMERCE, BOERNE, TX 78006
PHONE: 830.331.1325 FAX: 830.331.1207

WWW.THOMASINSTRUMENT.COM